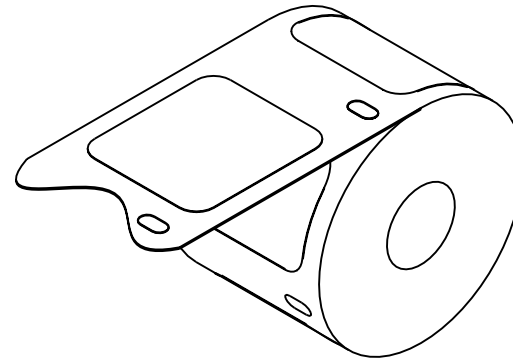
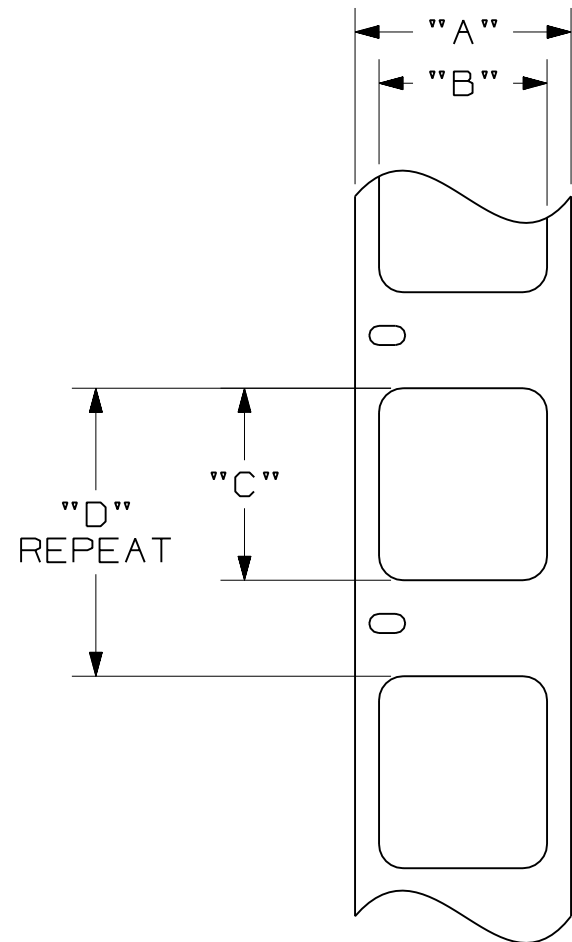


- NOTES:
 1. SEE MFG. DWG. NO. A61318.
 2. DIMENSIONS IN [] ARE IN MILLIMETERS.



PANDUIT PART NO.	MATERIAL	"A"	"B"	"C"	"D"	LABELS/ROLL
C061X030FJC	WHITE POLYESTER GMPO	0.85 [21.59]	0.610 [15.49]	0.300 [7.62]	0.625 [15.88]	500
C125X030FJC	WHITE POLYESTER GMPO	0.63 [16.00]	0.300 [7.62]	1.250 [31.75]	1.500 [38.10]	200
C188X030FJC	WHITE POLYESTER GMPO	0.63 [16.00]	0.300 [7.62]	1.875 [47.63]	2.125 [53.98]	150
C200X100FJC	WHITE POLYESTER GMPO	1.13 [28.70]	1.000 [25.40]	2.000 [50.80]	2.250 [57.15]	150
C252X030FJC	WHITE POLYESTER GMPO	0.63 [16.00]	0.300 [7.62]	2.520 [64.01]	2.875 [73.03]	125
C261X030FJC	WHITE POLYESTER GMPO	0.63 [16.00]	0.300 [7.62]	2.610 [66.29]	2.875 [73.03]	125
C315X030FJC	WHITE POLYESTER GMPO	0.63 [16.00]	0.300 [7.62]	3.150 [80.01]	3.500 [88.90]	100
C379X030FJC	WHITE POLYESTER GMPO	0.63 [16.00]	0.300 [7.62]	3.790 [96.27]	4.125 [104.78]	75

CAD FILENAME/LAYERS 100472MA_C10413_CxxxXxxxX FJC_00.PRT

										<h1>PANDUIT</h1> CORP TINLEY PARK, ILLINOIS CUSTOMER DRAWING L58 COMPONENT LABELS C***X***FJC							
										UNLESS OTHERWISE SPECIFIED, DIMENSIONAL TOLERANCES ARE: (.X) ± .030 ANGLS ± .015 (.XX) ± .030 ANGLS ±		UNLESS OTHERWISE SPECIFIED, ALL DIMENSIONS ARE GIVEN IN INCHES, THIRD ANGLE PROJECTION					
										DRAWN BY RVU		MAT'L: SEE TABLE		SCALE NTS			
0	5-11-06	RVU		DRAWING RELEASE			4503	R			DATE	5-11-06	DRAWING NO.		C10413	DWG	B
REV	DATE	BY	CHK	DESCRIPTION			ECN	-	R	CUST	SUP	CHK'D				SIZE	